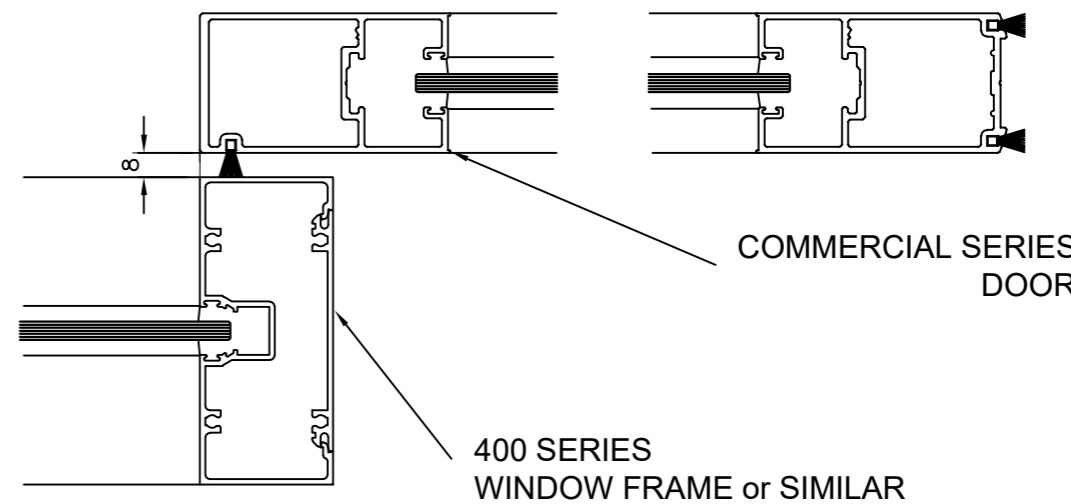


HANGER CHANNEL FIXING



Operator Weight Capacity

	Single Sliding	Bi-Parting
STA 21	1 x 140	2 x 100
STA 20	1 x 175	2 x 150
STA 20 DUO	1 x 200	2 x 175



record automatic doors pty ltd

ABN: 58 601 122 874

Melbourne

117 SCANLON DRIVE
EPPING, VICTORIA 3076
T: + 61 3 8339 2888 / 1300 804 438
E: infomelbourne@recorddoors.com.au

Sydney

30 PRINCE WILLIAM DRIVE
SEVEN HILLS, NSW 2147
T: + 61 2 8811 4000
E: infosydney@recorddoors.com.au

MODEL: STA20-110-FRD / STA21-110-FRD

110mm Pelmet Aluminium Framed Glass Door

PROJECT:

Drawn: PPG

Date: 24th February, 2020

Scale: 1 : 2

Dwg no: STA20-110-FRD