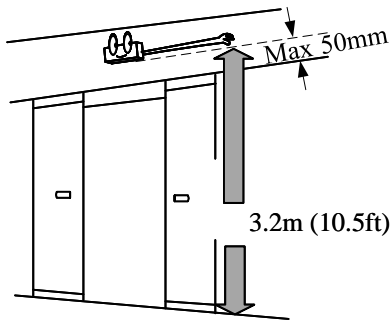


SSR-3 Quick Installation Guide

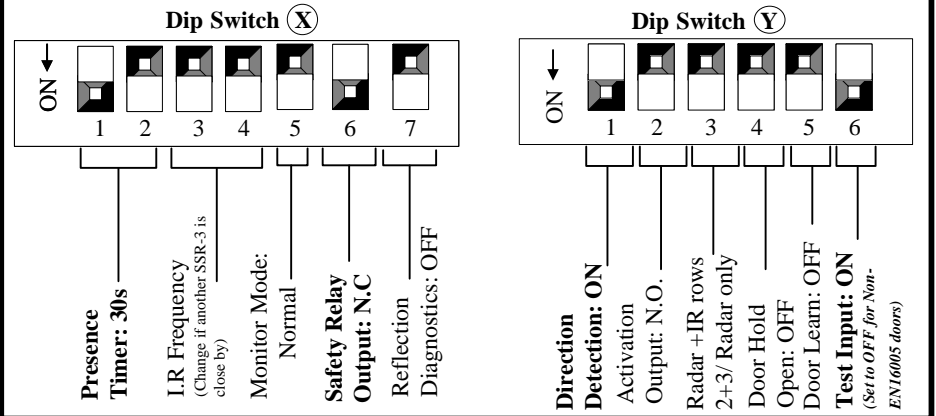


1. MOUNT THE SENSOR

Using the mounting template supplied mount the sensor within 50mm of the bottom of the door controller cover

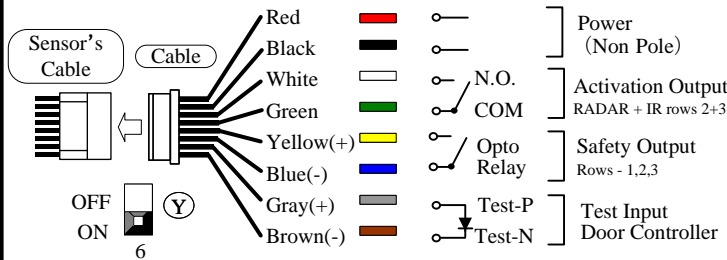


2. SET MAIN DIPSWITCHES AS ILLUSTRATED



3. CONNECT TO THE DOOR CONTROLLER

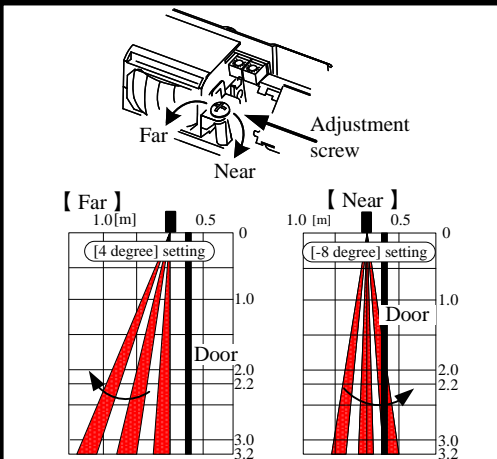
Note: For EN16005 door controllers set Y6 to "ON" and connect the Gray & Brown wires to the door controller. If the door controller does not have a "TEST INPUT" set Y6 to "OFF" and do not connect the Gray & Brown wires



4. LED INDICATORS

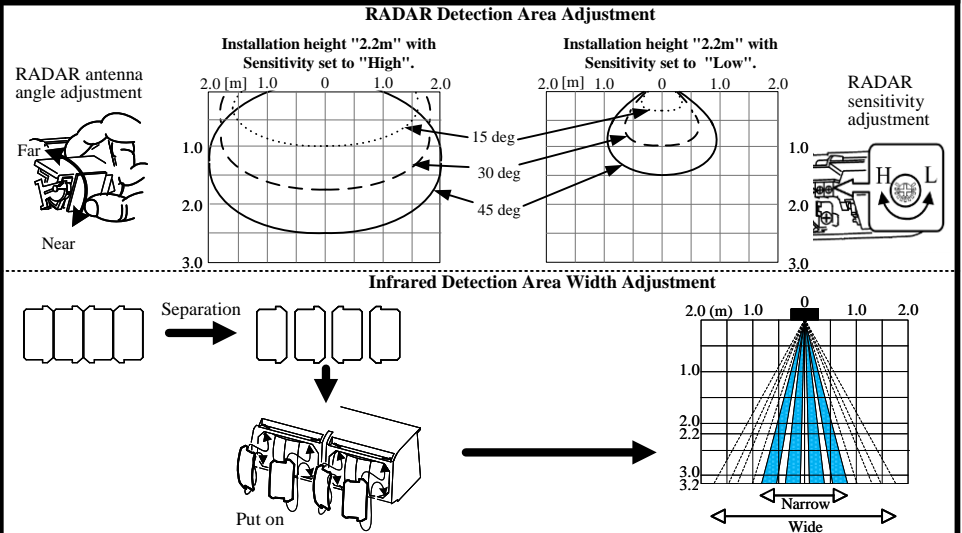
Green	Standby
Flashing Green	Doorway Learning (When dip switch Y 5 is ON)
Flashing Green (once)	When responding to the TEST signal
Blue	RADAR Detecting
Red	ROW 3 Detecting
Slow flashing Red	ROW 2 Detecting
Fast flashing Red	ROW 1 Detecting
Orange	Detection row "ROW1" ("ROW2" when doorway Learning is turned ON) is detecting door movement
Fast flashing Orange	Indicates a change of dip switch settings
Slow flashing Orange	Door Hold is turned ON (When dip switch Y 4 is ON)
Fast flashing Green/Red	Internal Sensor Error
Slow flashing Green/Red	Reflected infrared signal from the floor is very low

5. SET SAFETY DETECTION AREA



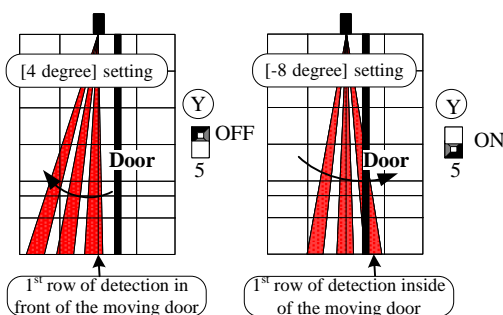
Note: Adjust the depth adjustment lever arm so that the detection area is directly in front of the moving door leaf

6. SET DESIRED DOOR OPENING DETECTION AREA



7. DOOR LEARN

Turning Door Learn ON (Y5), allows the 1st row of detection to be focused inside the door close area without detecting door movement. When Door Learn is turned on, the red LED will blink once, followed by a green blinking LED, which will turn solid green once the door learn process has been completed.



8. OTHER USEFUL DIPSWITCH SETTINGS

Output Radar (Dip Switch: Y3)	★ OFF	ON
Snow Mode (Dip Switch: X5)	★ Normal	Snow
Adjust sensor frequency settings to prevent cross interference between sensors in close proximity (Dip Switch X3,4)	★ A	B C D
Turn ON/OFF Uni-directional detection (Dip Switch: Y1)	OFF	★ ON